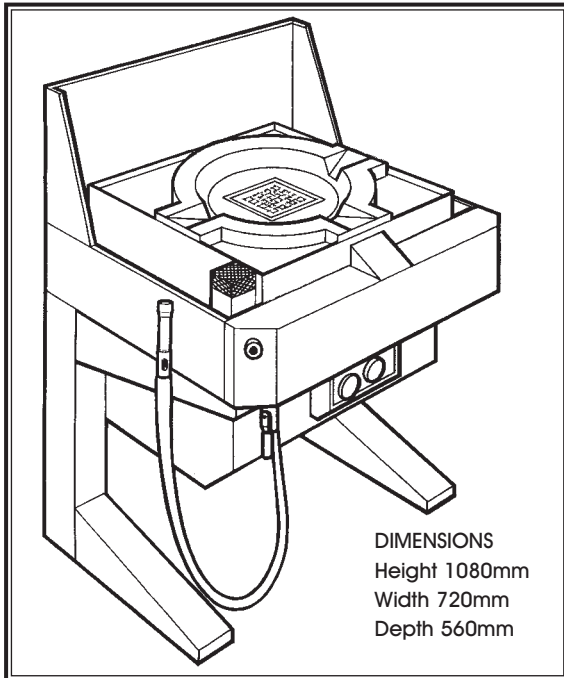


DS 430A CERAMIC CHIP FORGE

PRODUCT DATA SHEET



DIMENSIONS
Height 1080mm
Width 720mm
Depth 560mm

All sequences of operation are visually displayed using neon indicators.

The unit can be run on either Natural Gas or LPG Bottled Gas. The forge has a single phase whisper quiet integral fan to provide the air supply and takes only 15 minutes to reach working temperature. It can reach a temperature of 1,500°C. It has a 340mm diameter working area and can work up to 50mm steel bar. The ceramic chip technology minimises surface scale formation.

PERFORMANCE

GAS TYPE	RATE	BTU/HRS	KW
Natural Gas	2.14m ³ /h	77000	22.6
Propane	1.26kg/h	77000	22.6
Butane	1.26kg/h	77000	22.6

OPERATING GAS PRESSURES

Natural Gas	20 mbar
Propane	35 mbar
Butane	28 mbar

Electrics	50 watts - 220-240 volt single phase
Weight	133 Kg

According to the Health & Safety at Work Act 1974, BS 4163 and COSHH Regulations it is mandatory that all fumes must be removed at source.

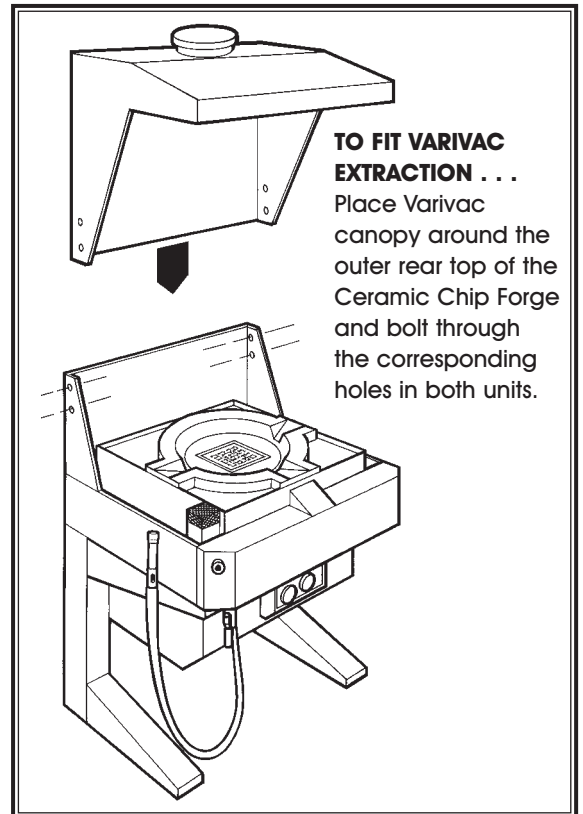
◆ Please state type of gas when ordering ◆

FLAMEFAST (UK) LTD

UNIT 2 · Labtec Street · Swinton · Manchester M27 8SE
Tel 0161 793 9998 · Fax 0161 793 0098
www.flamefast.co.uk · e-mail: sales@flamefast.co.uk

THE DS 430A COMPLIES WITH BRITISH GAS STANDARDS AND IS A FULLY FAILSAFE SYSTEM.

On start-up the gas train, is tested for escaping gas.



TO FIT VARIVAC EXTRACTION . . .

Place Varivac canopy around the outer rear top of the Ceramic Chip Forge and bolt through the corresponding holes in both units.

STANDARD EQUIPMENT

- ◆ Push-button no-volt release starter. Requires manual restart after power failure.
- ◆ Ceramic hearth.
- ◆ Automatic safety check of controls and air fan.
- ◆ Full manual control of hearth conditions.
- ◆ Whisper quiet air blower fan.
- ◆ Indicator status lights.
- ◆ Gas non-return valve.
- ◆ 12.5Kg of ceramic chippings.
- ◆ Operation/Instruction manual.
- ◆ Side and rear heat shields.
- ◆ Rake iron

OPTIONAL EXTRA

- ◆ Fume extraction equipment to meet the requirements of COSHH Regulations.

As with all Flamefast equipment, the DS430A Chip Forge is covered by the Flamefast unconditional 2 year warranty.

